

Philippe Starck **S.W.B. SLEEPY WORKING BED**



L22-L23

Cassina



Cassina S.p.A. 1999

Cassina USA Inc.
200 McKay Road
Huntington Station
New York 11746
telephone 631 423 4560
telefax 631 423 5245
www.cassinausa.com











Support structure

In powder lacquered steel tubes. They are able to be knocked down. Legs and head directly attached to the structure.

Packaging, the structure of a bed 70"x79" measuring about 46.5"x82.5".

Structure designed for quick assembly.

The slatted base

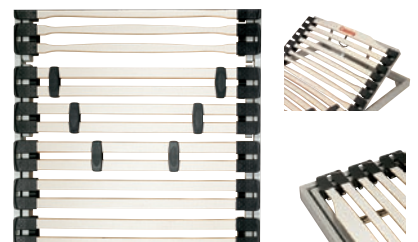
It is made up of specially treated, grey lacquered beech plywood and finished with joint elements at the angles and n. 26 slats in precurved beech plywood. The top face of the slats is treated with anti-slip finish. The slats are mounted on the frame through elastic slat caps to guarantee a high level of flexibility.

In the head/foot area, shaped slats allow a perfect support of the mattress and in the shoulders area, the shaped slats offer the maximum of elasticity and comfort.

In the pelvis area, where 42% of our weight is concentrated, cursors allow the elasticity of the slats. The base can be fix or it can have tilting parts where head and feet rest.

The position of the headboard/footboard can be changed by means of a handle placed on the side to be moved; once in position, a self-blocking mechanism holds the headboard/footboard at the desired angle. Headboard and footboard can be adjusted in thirteen positions according to individual requirements and guaranteeing the maximum comfort.

Pollutant glues have been totally excluded at the manufacturing stage.



The sprung base

It's a bit like a mattress supporting another mattress. A frame in solid fir-wood covered in special material, holds up the surface made up of a system of padded steel springs with a resistant cloth covering. It distributes our weight along the entire surface. The base is fix. Pollutant glues have been totally excluded at the manufacturing stage.

Sprung mattresses

They are perfect for the sprung base. Only the weighted springs enter into action depending on the degree of pressure placed on it. In this type of mattress is guranteed the required airing.

Latex mattresses

They are light, hygienic, longlasting, classical. They adapt perfectly to the slatted base. The elastic support has been studied in such a way as to allow a perfect airing.



Length of mattresses 79"
Special length of 83" may be requested for widths of 63"

Total width of mattresses
Queen 63"

No. of mattresses
1 or 2 x 31.5"

Type and no. of bases
Slats 2 x 31"
Sprung 2 x 31"



Under our weight the slat caps adapt themselves perfectly to the shape of our body, gently holding it up.

L22-L23 S.W.B. SLEEPY WORKING BED Philippe Starck

Bed with padded foot, sides and head; removable and washable fabric upholstery. Frame in black lacquered steel which can be dismantled. Supports in grey lacquered cast aluminium. The bed may be fitted with optional accessories in maple, wengé or mat lacquered wood in the colours ivory and grey:

- rear top for the head
- right or left bedside with drawer
- round top to be placed on the right or left side of the foot.

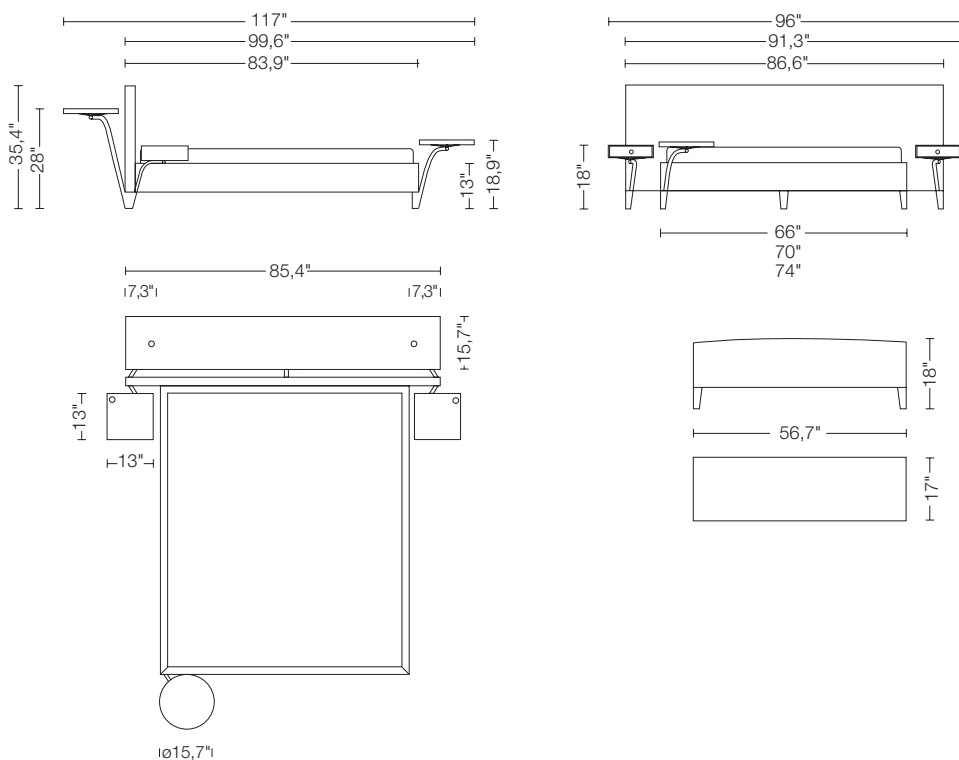
All these elements, with the exception of the round top, can be supplied in the cabled version to accept the lamps:

- Romeo Soft T1
- Archimoon Soft (special versions made for Cassina by Flos).

The Romeo Soft T1 can be used exclusively on the rear top of the head, both on the right or left side (the maximum number of lamps to be used is of three: one Romeo Soft T1 and two Archimoon Soft).

The group of accessories is also composed of:

- one padded bench with removable and washable fabric upholstery
- bedspread in the fabric CANVAS, in the colours white and creme (washable in water).



Romeo Soft T1

Archimoon Soft

