

Gaetano Pesce **FELTRI**



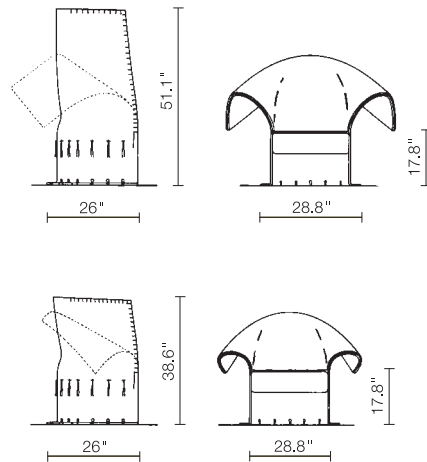
**357**

**Cassina**



### 357 FELTRI Gaetano Pesce

High armchair and low armchair entirely made of thick wool felt. In the lower part, the felt is impregnated with thermosetting resin to guarantee stiffness and resistance. The seat is fixed to the supporting frame by means of hempen strings, which trim also the soft upper edge of the chair. The armchair is completed by mattress in quilted fabric, sewn together with the polyester padding, available in various colours.



Printed in Italy by Alcom © Cassina S.p.A. 1,2005



Structure wool felt



