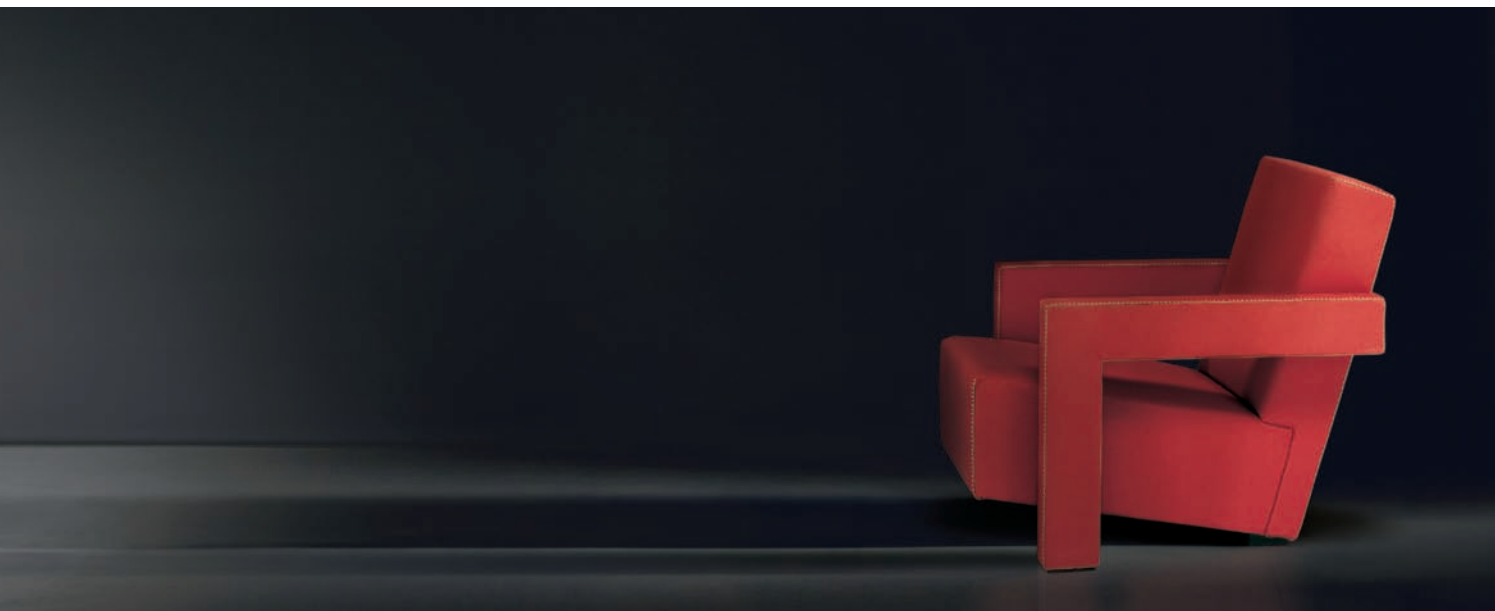


Gerrit T. Rietveld® **UTRECHT**



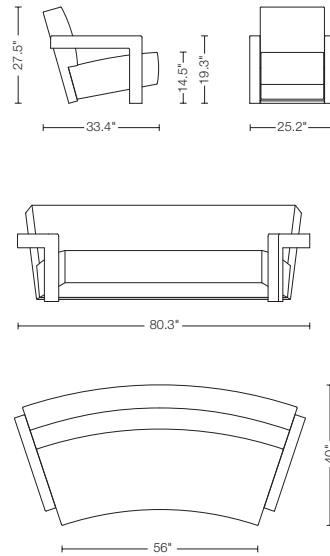
637



637 UTRECHT Gerrit T. Rietveld

Designed 1935

Armchair and curved sofa with steel supporting frame. Polyurethane foam and polyester padding. Fabric upholstery of certain types only (see our price list), with white fine stitching. The armchair can be also upholstered in leather. Feet in black plastic material.



Identifying marks and production numbers

Each piece of furniture in the "Cassina I Maestri" Collection is indelibly marked with: • the signature of the Author, whose copyright belongs to his heirs, the use of which has been granted exclusively to Cassina and which in the form of a trade mark, certifies the authenticity of the furniture; • the "Cassina I Maestri" logotype, which incorporates the Author's emblem as used by him as identification on his drawings; • the production number which serves to place the item in the chronology of production, and tallies with the "Identity Card" (which bears the same number). This shows that a final quality check has been carried out, and allows the Heirs' control as far as compliance with copyright is concerned. The red arrow on the drawings shows where the trademark and the serial number are branded.





